



This is a photo taken from “face book” pages and submitted by Paul Nakata and Kirk Bruhns. This is a unique design for easy assembly and disassembly to transport a work bench. Notched parts locking together and held by force applying wedges hold all parts in position. Packaged for travel, all parts lay flat and stacked with the flat top surface.



My previous woodwork business involved, particularly stairs, to install what the business crafted. You don't make a pile of parts (stairs) and expect someone else to install the project. I had that task to travel and to install the pile of parts. A work bench such as shown would have been a very welcomed accessory to bring onto the job site. I did improvise a work surface as a portable bench but it was a clumsy package. Not large but about 4 feet long work surface. This bench is a brilliant innovation particularly in assembly.

**STATEMENT : All woodworkers, from beginners & hobbyists to professionals, are invited to join the Guild of Maine Woodworkers where individuals can meet and share their knowledge and skills. Monthly meetings include demonstrations, tool discussions and guest speakers as well as the popular “show & tell” when members show off their woodworking products, tools or gadgets. Meetings rotate around member’s shops. Maybe you will gain an idea for your shop. If you need help on a project the Guild is the place to be.**

Page

CONTENT

#1 Cover Photo

#2 On the Cover. Statement

#3 Content. Officers Directors Calendar of Events

#4 Presidents Message

#5 October Meeting

#6 November Meeting

#7-8 December Business Meeting

#9 Crafted Bow Saw & Shop Technique

#0 Saw Horse Construction

#10 Collapsible & Portable Work Bench

OFFICERS

President: Gene Kirkpatrick

Vice President: Barbara White

Secretary: Randy Mayse

Treasurer: John Vogt

BOARD of DIRECTORS (year shown indicates end of year termination)

2025

2026

2027

Rolf Dries

Robert Cort

Gene Kirkpatrick

Randy Mayse

Susan Chandler

Robert Kearney

Deborah Silverman

Wes Sunderland

Steven Smith

CALENDAR of EVENTS: This new schedule reflects a change to 6 meetings per year.

February, April, June, September-(picnic), October, December-(annual bus. Meeting)

Dates and locations-TBD. — (Regular meeting reminders one week prior to meeting)

Officers Meeting—January 15th—10:15am —Wes’ shop

Board of Directors Meeting — January 25th — location & time TBD.



The Guild of Maine Woodworkers has turned a new corner. In the annual December meeting new officers were nominated and voted into position. This was a very positive and needed shift with the Guild's organization. After 15 years with Wes Sunderland as President, the Guild sensed a need to spice up the program and mission. It could be said, "new blood was required". A strong attendance of members and searching discussions, a change occurred.

The nominations presented the following results. President: Gene Kirkpatrick, Vice President: Barbara White, Secretary: Randy Mayse, Treasurer: John Vogt. It's a good line up of strong member orientation and talent.

More discussion evolved pertaining to meeting schedules and volunteers for location of each meeting. It was a toss-up between 4 meetings vs. 6 meetings per year. Not yet totally settled, it's going to be an experimental year. With the decrease of full membership monthly meetings, the establishment of "sub-groups", that has evolved well, will take up the slack in the off months of activities. The sub-groups are conducted thru a voluntary leadership by a sub-group member volunteer. That is, sub-groups meet when they decide and where they decide and what is conducted within the program. It's worked that way for 1-1/2 years and should continue in the same manner.

The formation for sub-group activities within the Guild has succeeded well over the short time in existence. What the sub group achieves is to bring to the member a specific activity that they may have an acute interest in participating. It may be making an item or it may be improving on a skill.

The Guild of Maine Woodworkers currently have three sub-groups: "computer Numerically Control" crafting (CNC), "Beginners & Intermediate Group (B.I.G.), and "Tool Making". Although all the groups improve skills as well as crafting, the BIG group orientates upon skills sometimes elementary with the use of tools. There are moments when new members seek the Guild for exactly that activity, to become better knowledgeable with specific tool uses.

As Guild membership grows, so should the mission of the Guild, skill knowledge to increase and absorb the goals of it's members. More individuals will demand more variation in the sub-group program. This may be determined by personal requests from individuals. When a following develops and a volunteer lead person steps forward, then a sub-group is formed.

This arrival of year 2025 will be interesting and challenging. The Guild has the personnel to make it happen. Of course,, volunteers need to step forward and shoulder the task.

Deb Silverman shop—Brunswick



Members gathering and enjoying food at Deb's 2nd floor shop lounge, a wonderful meeting place

Show & Tell: bottom joint of dovetailed legs into a pedestal post

Steve with an old bench vice



The meeting's "show & tell" sessions are always a great time to pick up tips on woodworking.



Jim Hanscom residence—Cornish



Jim's new timber framed house was the meeting location, His shop is in unoccupied construction.

Innovated clamping press for veneer work SHOW & TELL Cleaver toy top, top spins extremely well.



Wes explaining the "golden proportion" as applied to an O-G serpentine curve of a furniture item. Chalk board with compass & protractor applied the golden proportion by geometric construction. The 1 : 1.628 proportion was applied using a triangular template with angles of 36 & 72 degrees.





Wes' shop, Baldwin.



What a group ! 18 members, great meeting.  
Meeting held in the BBQ room, good space.  
Many business topics solved during the morning discussions.

“Show & Tell” with demos during the afternoon.



Jig to clamp a 45  
corner together.  
(see page #9)



This is a test construction of a knock-  
down work bench table at half size  
and one end only. A test on joinery.

This really works and disassembly  
results with all parts laying flat for  
easy packaging and transportation.

(More details on Page #11.)



Gene making several cribbage boards with the CNC set-up

MORE "SHOW & TELL" Items



Deb Silverman demonstrating arrangements for glue-ups of end grain stock and applied to cutting boards



CNC inlay on a plaque.

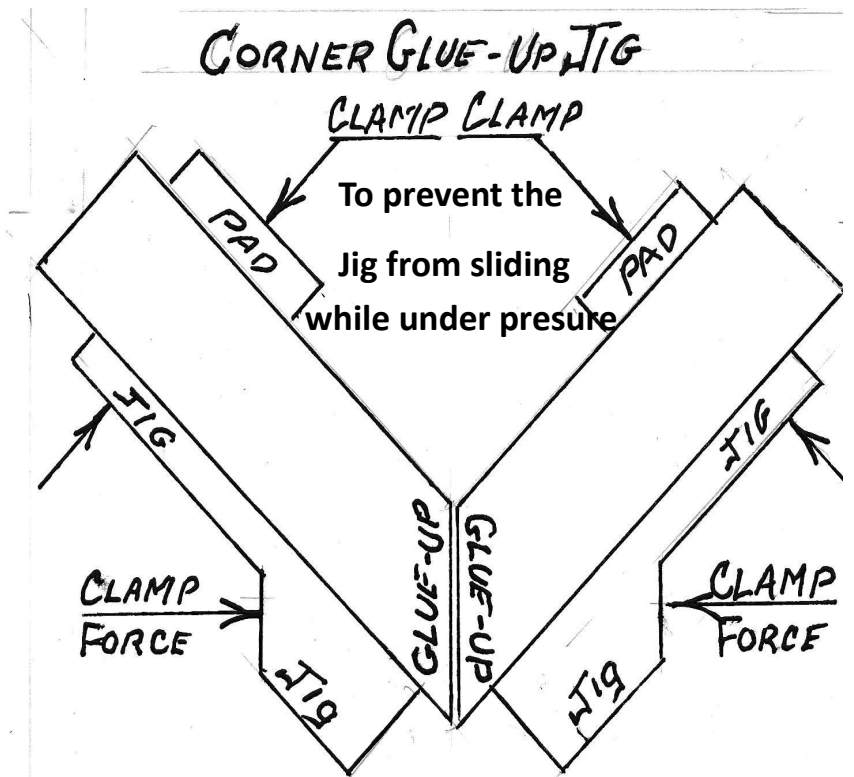
Mark Tschiegg discussing the turning for a typical wine glass. Fragile cup wall & stem.





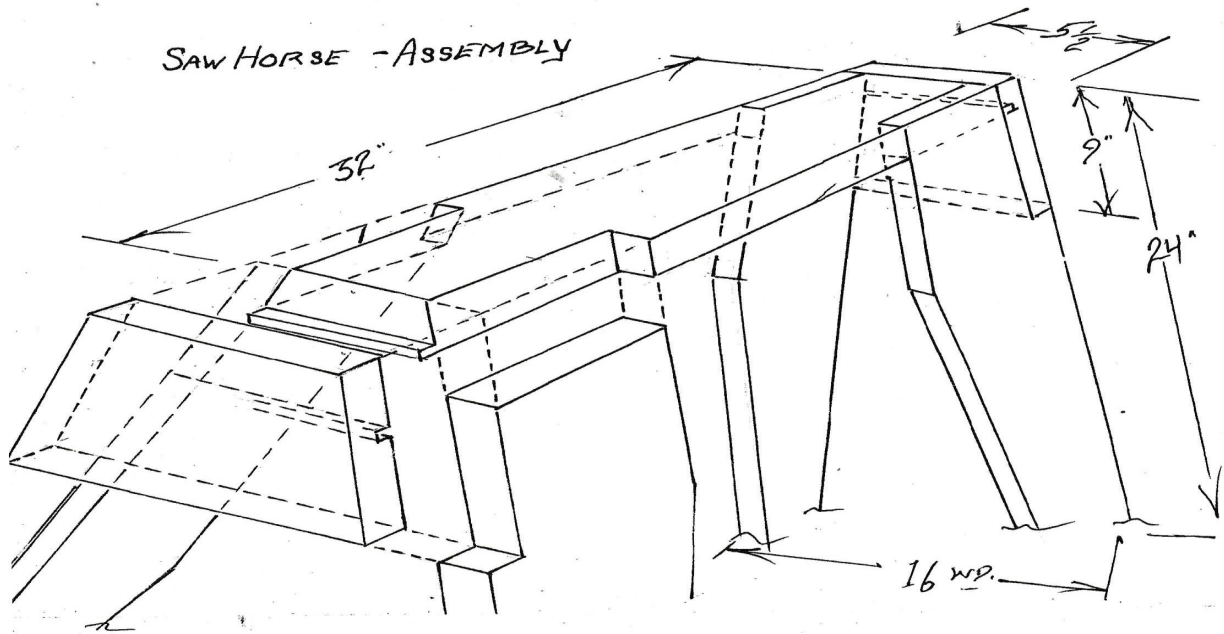
November Meeting—Jim’s house: Great bow saw in design shape and function. Good to copy

Annual Meeting “show & tell”.  
Clamping a 45 degree corner frame.





Back in the year of about 2012, an activity involved the visit to the shop of Phil Lowe located in Boston. One of Phil Lowe's involvements was teaching classes to fabricate 18th century furniture. Observed in the shop were several saw horses that the students made for their class use. A wonderfully proportioned shop accessory. Returning to Maine, a copy of the saw horse was produced (in fact 4 horses made) and currently in use. Above photo & 2 views reflects the saw horses showing the shapes of parts and assembly. Below is an exploded view of the horse, parts assembly, and dimensions applied.



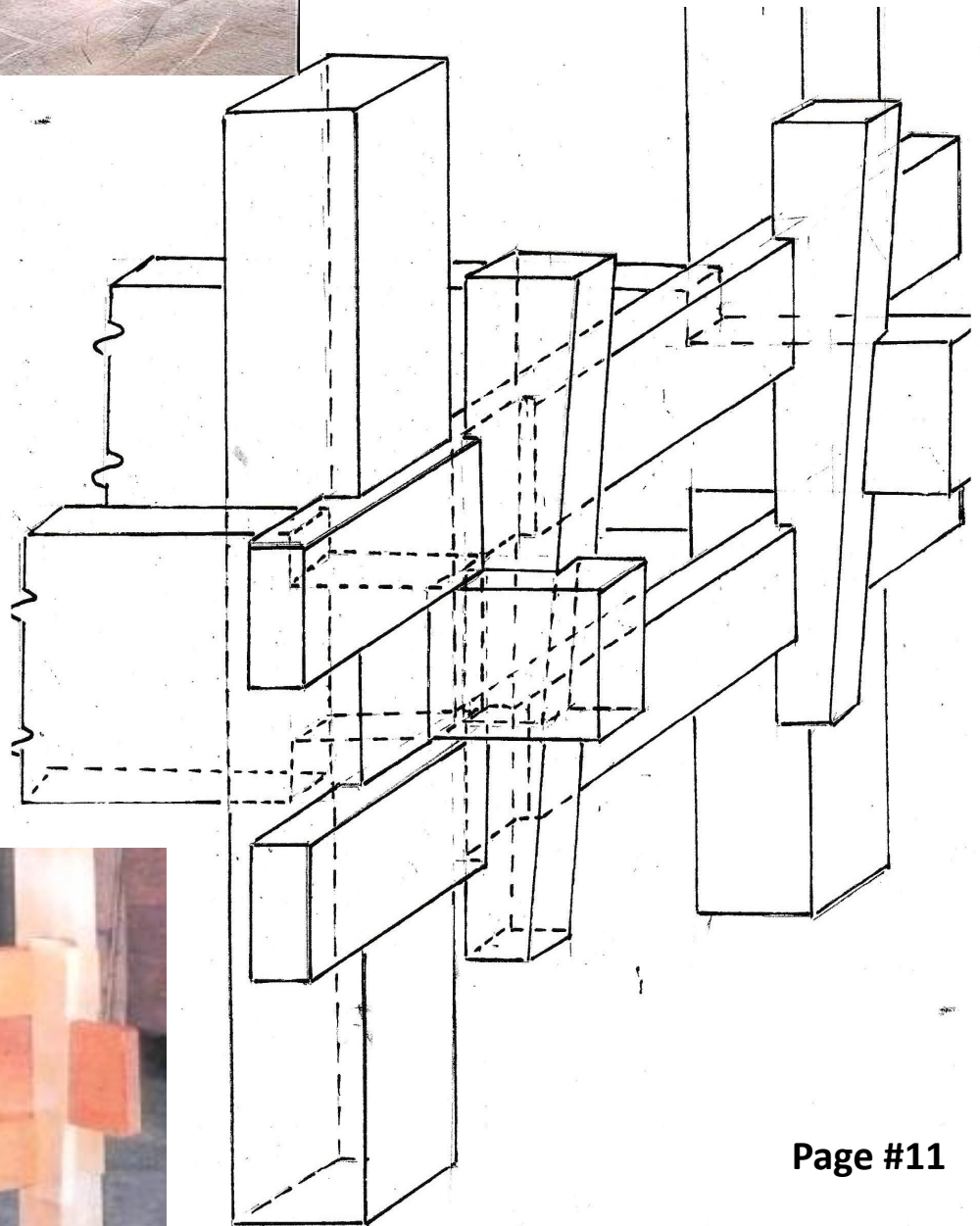




Pictured and drafted drawing of this work bench is also featured on the cover and page #2.

Shown is an exploded view of the wedge construction to the bench legs that hold together the total assembly.

Changing dimensions allows this bench to be employed as a table with other functions.



Close-up view of the wedge arrangement that holds the legs in place.

